

Available top finishes:

- MFC
- MFC 3D
- MDF PerfectSense
- Writable Laminate

Steel sheet metal Flip top mechanism with release handles.
Cover in black polypropylene (PP).

Leg with rectangular steel pipe column 60x30 mm with diecast aluminium foot. Epoxy powder painting.
Black RAL 9005
Grey
White RAL 9003

Swivel castor with pedal brake \varnothing 75 mm, polyamide support and thermoplastic rubber.

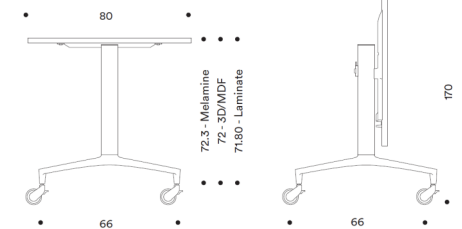
Steel box for 4 or 6 module with electrical and/or multimedia system.
Painted White, Black or Grey.
Available with cable management. (optional).

Grey nylon linking device to join tabletops (optional).

Black Polypropylene cable management system (PP).

Available modesty panel finishes:

- MFC
- MFC 3D
- MDF PerfectSense



Structure Finishes



Leg with rectangular steel pipe column 60x30 mm with diecast aluminium foot.
 Epoxy powder painting.
 6 Finishes available:
 Column Black RAL 9005 / Foot Black RAL 9005
 Column Grey / Foot Grey
 Column white RAL 9003 / Foot White RAL 9003
 Column Black RAL 9005 / Diecast aluminium polished foot
 Column Grey / Diecast aluminium polished foot
 Column White RAL 9003 / Diecast aluminium polished foot.

Top Finishes

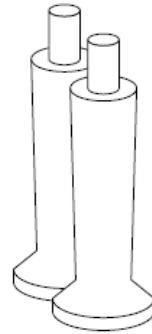
<p>MFC thk.25 mm edge in ABS thk.2 mm</p>	
<p>MFC 3D thk.22 mm edge in ABS thk.1 mm</p>	
<p>MDF PerfectSense thk.22 mm edge in ABS thk.1 mm</p>	
<p>*Writable Laminate thk.20 mm edge in ABS thk.2 mm</p>	

*Available only for Ulisses 160AR/ Electrical Boxes not available with this finishing.



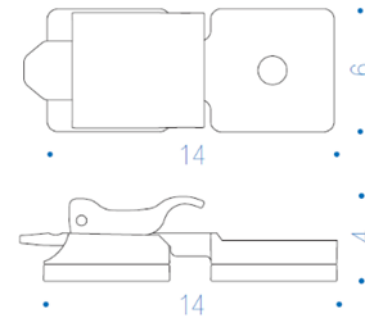
Pair of aluminum feet with black base.

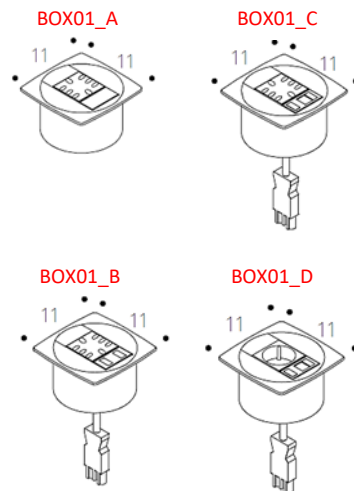
KIT14



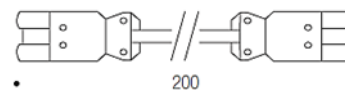
Grey nylon linking device to join tabletops with straight corners 90°.

AGG10

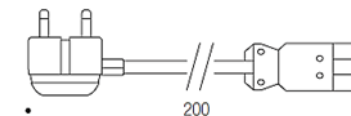




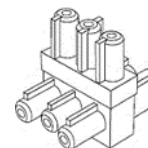
CAV_002
Connection cable between electrical modules 2 mt.
(H05VV-F 3G 1.5 mm² / GST18 - GST18).



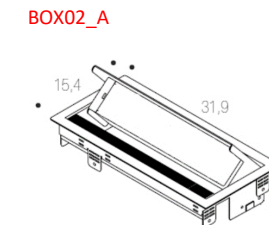
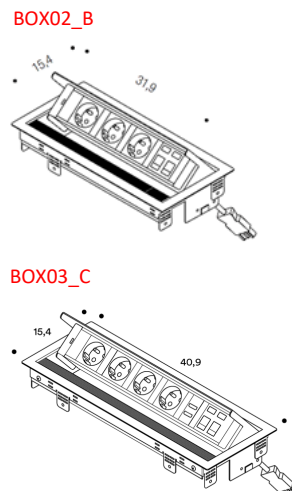
CAV_004
Electric cable 2 mt.
(H05VV-F 3G 1.5 mm² / GST18 - Male).



CAV_015
Power distributor with 3 poles.



Single module in ABS with electrical and/or multimedia system or cable management.
Available colours Dark grey RAL 7024 and White RAL 9016.



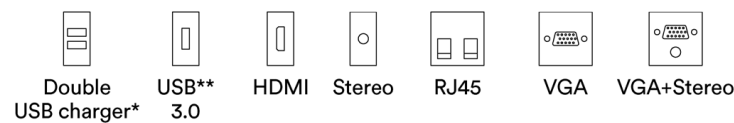
Steel box for 4 or 6 module with electrical and/or multimedia system.
Available colours Black RAL 9017, Grey RAL 9006 and White RAL 9016.

Painted steel cable management resealable module.
Available colours Black RAL 9017, Grey RAL 9006 and White RAL 9016.

National and International Sockets

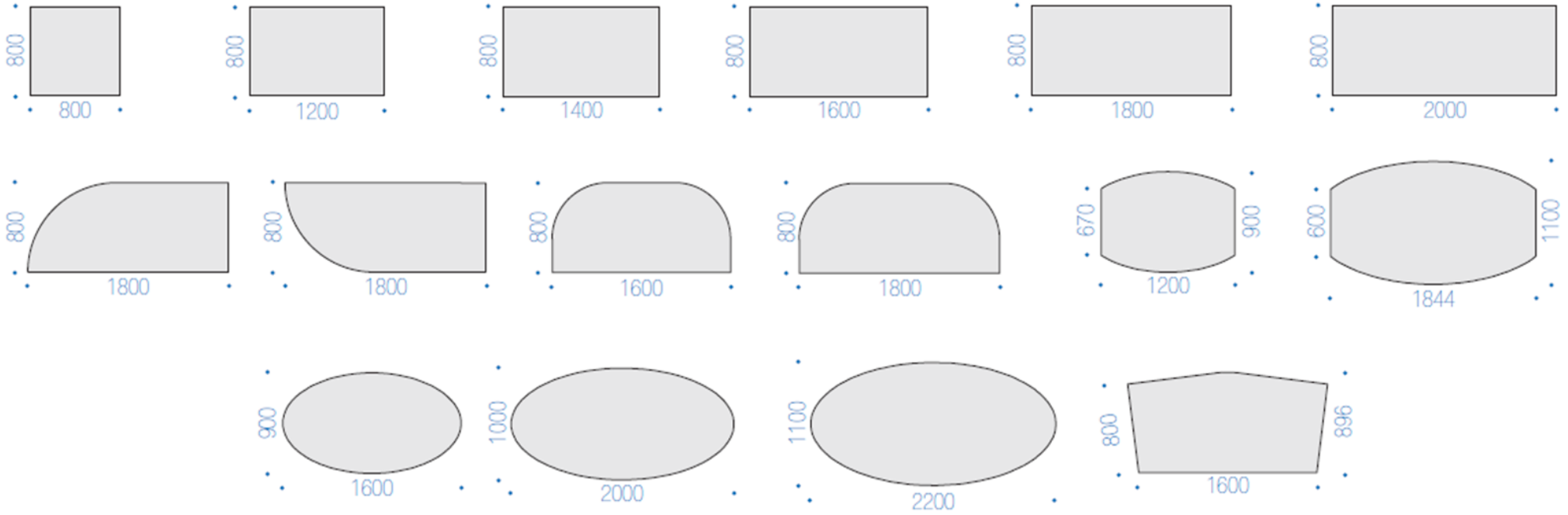


Multimedia Accessories

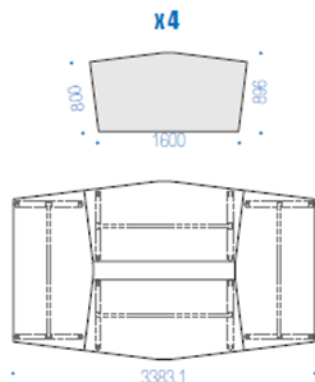
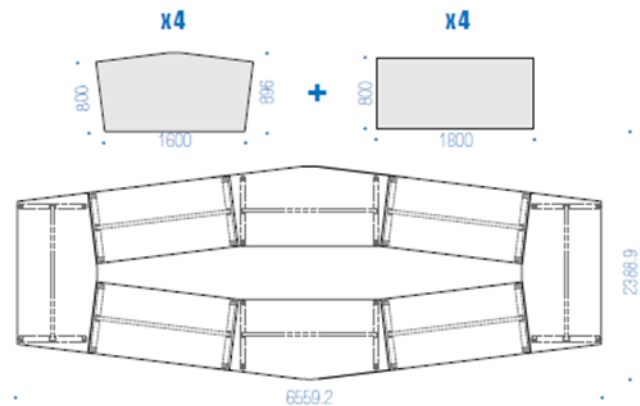
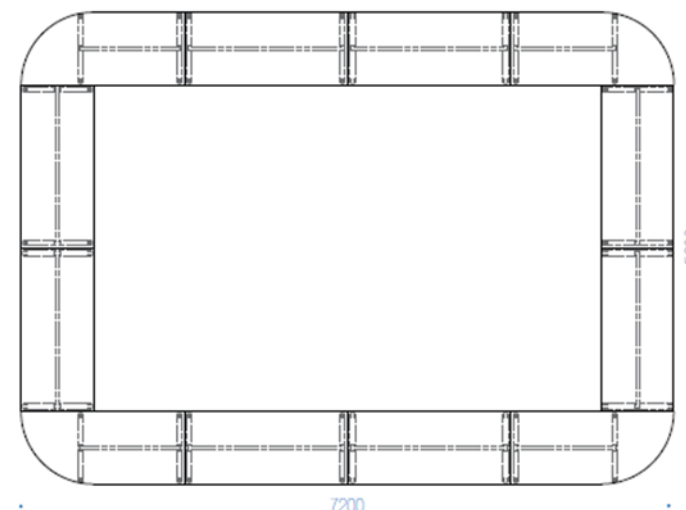
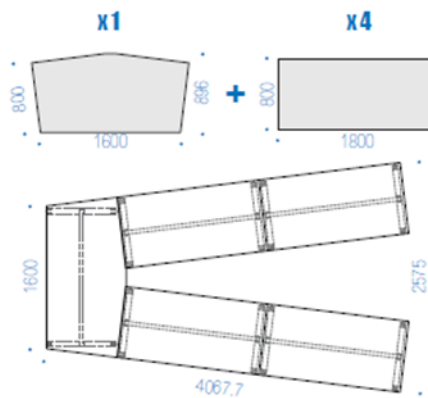
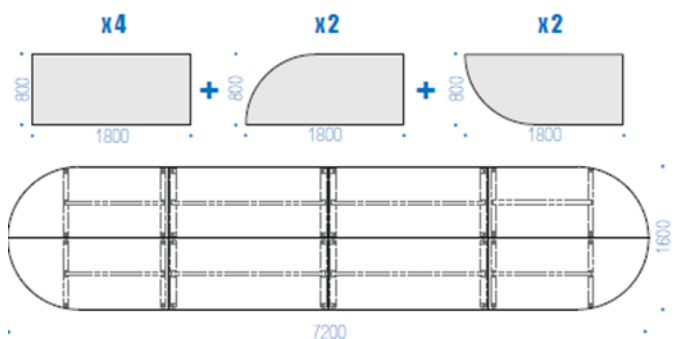
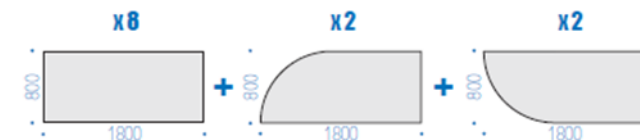
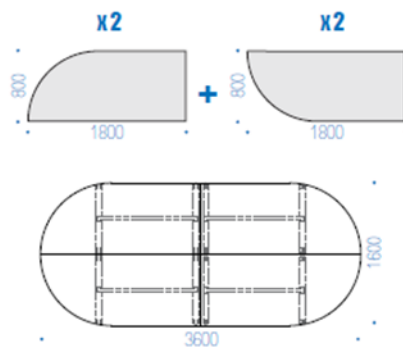
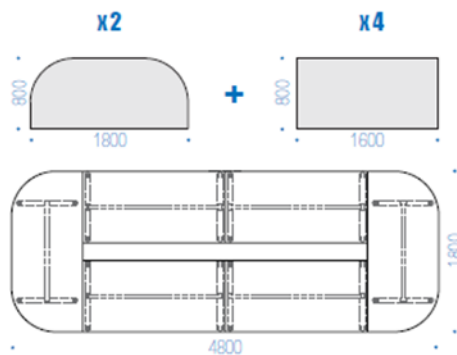


* USB charger only charger
** USB 3.0 only data

Shapes and tops dimensions



Compositions



CLEANING

For the metal parts, we recommend to use only a damp cloth with alcohol and to dry everything very well after cleaning.

For painted surfaces, please use only a damp cloth with water and neutral liquid detergent. Do not use solvents, trichloroethylene, acetone or ammonia.

WARRANTY

Our products are guaranteed for 5 years (full text of warranty on request). An improper use of the product precludes its warranty.



UNI EN 1730:2000

Compliance certificate with BS
EN 15372:2016, level 2°